

ACCESSORIES

INTERFACE CABLE: 10ft (3.05M), 25' (7.62m), LONGER BY SPECIAL ORDER.

COMPATIBLE DC DEVICES:

MAGIC GADGETS FLICKER 3DC, FIREBUG, OPTICAL INTERFACE AND OTHERS.

COMPATIBLE AC DEVICES:

AC DEVICES CAN BE USED AS A SIGNAL SOURCE FOR THE INTERFACE BY RUNNING THEM FROM A SMALL DC TO AC INVERTER AS ONLY A SMALL AMOUNT OF CURRENT IS NEEDED TO RUN THE DEVICES CONTROL GENERATOR (WITHOUT A LAMP LOAD ON THE GENERATOR). THIS MEANS THAT ALMOST ANY OF OUR EFFECTS DEVICES CAN BE USED INCLUDING SHADOWMAKER, FLICKER 2 DIGITAL, FLICKER 3D, AND OTHERS.

SHIPPING CASE:

PELICAN 1200
HARD CASE HAS CUBED FOAM FOR EASY FITTING.

REPLACEMENT PARTS:

CONTROL KNOB #1014BK
FUSE HOLDER #AGCHLD
FUSE #AGC10F
OUTPUT SEMICONDUCTOR #2N3055

WARRANTY STATEMENT

OUR PRODUCTS ARE WARRANTED FOR A PERIOD OF ONE (1) YEAR FROM THE DATE OF DELIVERY, TO THE ORIGINAL PURCHASER OR LESSEE, TO BE FREE FROM DEFECTS IN MATERIALS OR WORKMANSHIP. *WE WILL, AT OUR OPTION, EXTEND THIS WARRANTY BEYOND ONE YEAR. THE WARRANTY TERMS STATED HERE MUST BE KEPT TO VALIDATE THIS EXTENSION.

THE SOLE AND EXCLUSIVE REMEDY FOR BREACH OF ANY WARRANTY CONCERNING THE PRODUCTS SHALL BE REPAIR OR REPLACEMENT OF DEFECTIVE PARTS AT NO CHARGE TO THE ORIGINAL PURCHASER OR LESSEE, AT THE DISCRETION OF WILLIAM A MCINTIRE ENTERPRISES.

THESE PRODUCTS ARE DESIGNED AND INTENDED FOR USE BY COMPETENT PROFESSIONALS ONLY. THE INDIVIDUAL USER SHOULD DETERMINE BEFORE USE WHETHER THESE DEVICES ARE SUITABLE, ADEQUATE, OR SAFE FOR THE USE INTENDED. BECAUSE INDIVIDUAL APPLICATIONS ARE SUBJECT TO GREAT VARIATION, THE MANUFACTURER MAKES NO REPRESENTATION OR WARRANTY AS TO THE SUITABILITY OR FITNESS OF THESE DEVICES FOR ANY SPECIFIC APPLICATION. DIRECT, INCIDENTAL, SPECIAL, OR CONSEQUENTIAL DAMAGES OR LOSSES RESULTING FROM THE USE, OR MISUSE, OF THESE DEVICES SHALL BE THE SOLE RESPONSIBILITY OF THE PURCHASER OR LESSEE.

(SOME STATES DO NOT ALLOW THE EXCLUSION OR LIMITATION OF INCIDENTAL OR CONSEQUENTIAL DAMAGES, SO THE ABOVE LIMITATION OR EXCLUSION MAY NOT APPLY TO YOU.)

SUBJECTING THE UNITS TO EXCESSIVELY ROUGH HANDLING, MOISTURE, HIGH VOLTAGES, OVERLOADING THE OUTPUT, OPERATING THE UNIT WITHOUT PROPER VENTILATION, IMPROPER PACKAGING FOR SHIPPING, DAMAGE INCURRED DURING SHIPPING, ANY IMPROPER OR NEGLIGENT USE, OR ANY ATTEMPT TO OPEN, REPAIR OR MODIFY THE UNIT, OR REMOVAL OR OBSCURING OF THE SERIAL NUMBER LABEL WILL VOID THE WARRANTY. WARRANTY MAY BE LIMITED TO ORIGINAL PURCHASER AS SHOWN ON ORIGINAL INVOICE.

TOYS OR TOOLS?

BOTH... TOYS WHEN ONE IS EXPLORING THEIR MANY APPLICATIONS. TOOLS WHEN THOSE APPLICATIONS SOLVE PROBLEMS ON THE JOB. PLEASE VISIT WWW.MAGICGADGETS.COM FOR UP TO DATE INFORMATION INCLUDING OPERATING INSTRUCTIONS, RESELLER AND RENTAL LOCATIONS, PRICES, AND MORE TOYS!

TRY THESE IN YOUR TOOL BOX
THEY WORK WITH DC DIMMER...

DC DEVICES WITH INTERFACE OUTPUT...

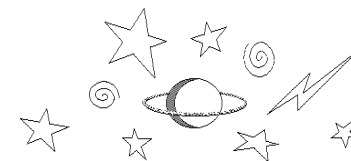
FLICKER 3DC: THREE OUTPUT CHANNELS AND 16 EFFECTS FOR FIRELIGHT, SIGNAGE, POLICE LIGHT EFFECTS AND MORE.

FIREBUG: A SMALL BATTERY POWERED FIRELIGHT GENERATOR.

OPTICAL INTERFACE: AIM AT A LIGHT SOURCE AND THE DC DIMMER WILL FOLLOW ON AND OFF. AIM AT THE FLAME EDGE OF A FIRE AND THE DIMMER WILL FLICKER.

AC DEVICES WITH INTERFACE OUTPUT...

ANY MAGIC GADGETS EFFECTS DEVICE WITH AN INTERFACE OUTPUT.



Magic Gadgets

a service of McIntire Enterprises
12986 MAPLELEAF CT NE, AURORA, OR
97002 USA TEL. 503 678 6236

WWW.MAGICGADGETS.COM

INSTRUCTIONS and SPECIFICATIONS

for

DC DIMMER

DIRECT CURRENT
LIGHTING DIMMER

ALSO WORKS WITH
MAGIC GADGETS FLICKER
AND CONTROL DEVICES

THE ONE WITH THE BEST
MOST TOYS WINS!

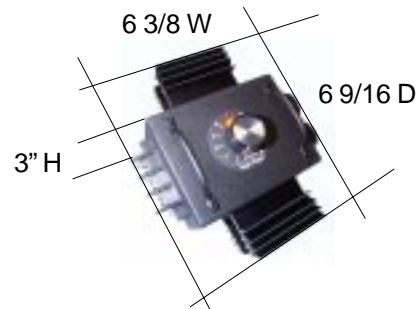
SAFETY

GENERAL SAFETY: DO NOT USE WHEN WET. DO NOT USE IN EXPLOSIVE ENVIRONMENT. PROVIDE ADEQUATE VENTILATION AND MAINS CIRCUIT BREAKER. **DISCONNECT FROM POWER BEFORE MAKING CONNECTIONS OR HANDLING CONNECTED EQUIPMENT AS OUTPUT MAY STILL BE ENERGIZED EVEN WHEN THE UNIT APPEARS TO BE OFF! DO NOT MAKE OR BREAK CONNECTION WITH THE UNIT ON.**

SPECIFICATIONS

PHYSICAL: SIZE 6.375" (162mm) WIDE, 6.563" (167mm) LONG, 3.0" (91mm) HIGH (APPX.).

WEIGHT 1.6 lb (0.73kg), 2.0 lb (0.91kg) READY TO SHIP, 5.0 lb (2.3kg) IN 1200 PELICAN HARD CASE.



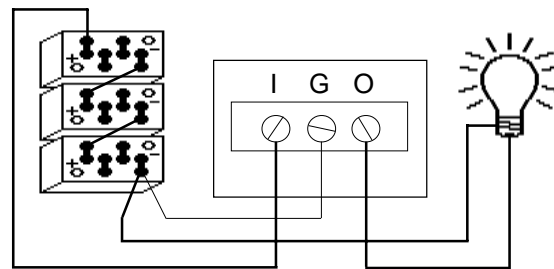
ELECTRICAL: POWER SOURCE: 3 TO 28 VOLTS, **DC ONLY**. 10 AMPS MAXIMUM CONSTANT LOAD 15 AMPS PEAK INTERMITTENT LOAD. USE ONLY TYPE AGC 10 AMP FAST BLOW FUSE. *FUSES ARE LOCATED IN THE HOLDERS OPPOSITE THE INPUT/OUTPUT TERMINAL BLOCK.*

INTERFACE INPUT: 0.125" (3.5mm), 2 CONDUCTOR PHONE PLUG. 10 VOLTS DC NOMINAL, 15 VOLTS MAXIMUM. TIP NEGATIVE, SLEEVE POSITIVE. SLEEVE COMMON WITH ISOLATED CHASSIS.

OPERATION

PROVIDE ADEQUATE VENTILATION. **HEAT SINKS CAN GET VERY HOT DURING NORMAL OPERATION. USE EXTREME CAUTION IN AUTOMOBILES, ETC. AS SOME MATERIALS MAY MELT IF LEFT IN CONTACT.** USE ONLY AGC 10 FAST BLOW TYPE FUSES. INPUT IS **DC ONLY**. WIRING CODE AT TERMINAL BLOCK (FOR BEST RESULTS USE LUGS CRIMPED TO WIRES): G = GROUND REFERENCE FROM POWER SOURCE NEGATIVE. LIGHT GUAGE WIRE OK IF NOT IN LOAD CIRCUIT, I = POWER SOURCE POSITIVE INPUT, O = POSITIVE OUTPUT TO LOAD. BOTH REQUIRE HEAVY GUAGE WIRE SUCH AS # 10 STRANDED. LONG WIRES MAY REQUIRE HEAVIER WIRE. CONNECT LOAD NEGATIVE (ALSO # 10 WIRE) DIRECTLY TO POWER SOURCE. RED LAMP INDICATES POWER IS PRESENT AT INPUT. CONNECTOR ABOVE FUSES IS INTERFACE INPUT.

TECHNICAL: THE DIAGRAM BELOW ILLUSTRATES PROPER CONNECTION OF THE UNIT.



THE WIRING FROM THE POWER SOURCE TO THE UNIT AND TO THE LOAD SHOULD BE OF HEAVY GAUGE SUCH AS #10 MTW OR SIMILAR WIRE TO AVOID UNDESIRABLE VOLTAGE DROP. THE "G" WIRE CAN BE LIGHT GAUGE AS IT IS ONLY USED BY THE VOLTAGE REGULATION CIRCUITRY IN THE UNIT. CRIMP SPADE TYPE CONNECTORS ARE BEST AS THEY PROVIDE A SECURE CONNECTION. USE CAUTION NOT TO OVERTIGHTEN THE TERMINAL BLOCK SCREWS.

APPLICATIONS

DIMMING AUTOMOBILE HEADLIGHTS:

FIND A BREAKPOINT BETWEEN THE LIGHT SWITCH AND THE LIGHTS TO BE DIMMED SUCH AS THE LIGHTING CIRCUIT FUSE. TO DO THIS LOCATE THE LIGHTING CIRCUIT FUSE. THEN FIND THE POWER SOURCE SIDE OF THE FUSE WITH A VOLTMETER AND REMOVE THE FUSE. INSERT THE UNIT IN PLACE OF THE FUSE WITH ALLIGATOR CLIPS OR OTHER BY CONNECTING THE "I" TERMINAL TO THE POSITIVE POWER SOURCE AND THE "O" TERMINAL TO THE LAMP LOAD. CONNECT THE "G" TERMINAL TO THE AUTOMOBILE CHASSIS IF NEGATIVE.

REGULATING EQUIPMENT POWER:

BECAUSE THE UNIT IS CONTROLLED BY A PRECISION VOLTAGE REGULATOR, A 12 VOLT DEVICE CAN BE POWERED BY A 28 VOLT POWER SOURCE. THE OUTPUT FROM THE UNIT WILL REMAIN AT A CONSTANT 12 VOLTS UNTIL THE INPUT VOLTAGE REACHES APPX. 13.5 VOLTS.

LIGHTING IN VEHICLES:

12 VOLT LAMPS CAN BE CONTROLLED BY THE UNIT TO PROVIDE KEY LIGHTING AT THE DESIRED BRIGHTNESS.

OVERDRIVING LAMPS:

LAMPS USED FOR LIGHTING CAN BE DRIVEN BY MORE THAN THEIR RATED VOLTAGE PROVIDING EXTRA COLOR TEMPERATURE. OUR TESTS HAVE PROVEN THAT MANY LAMPS WILL ACCEPT EXTRA VOLTAGE GIVING WELL ABOVE 3200K COLOR TEMPERATURE WITHOUT BURNING OUT. OFTEN, THIS CAN BE DONE FOR LONG PERIODS DEPENDING ON LAMP TYPE.

THE INTERFACE

THE INTERFACE INPUT ON THE UNIT FOLLOWS ON AND OFF AT THE SAME RATE AS THE SIGNAL FROM THE EFFECTS DEVICE. THE DIMMER IS OFF WHEN THIS INPUT IS ON. WHEN USED WITH A FLICKER GENERATOR THE FLICKER (OR OTHER EFFECT) WILL BE INVERTED.



EFFECTS DEVICE

CAUTION: CONNECT INTERFACE OUTPUT ONLY TO MAGIC GADGETS DEVICES WITH AN INTERFACE INPUT. CONNECTING OTHER LOAD DEVICES TO THE OUTPUTS CAN DAMAGE THE UNITS CONNECTED.